

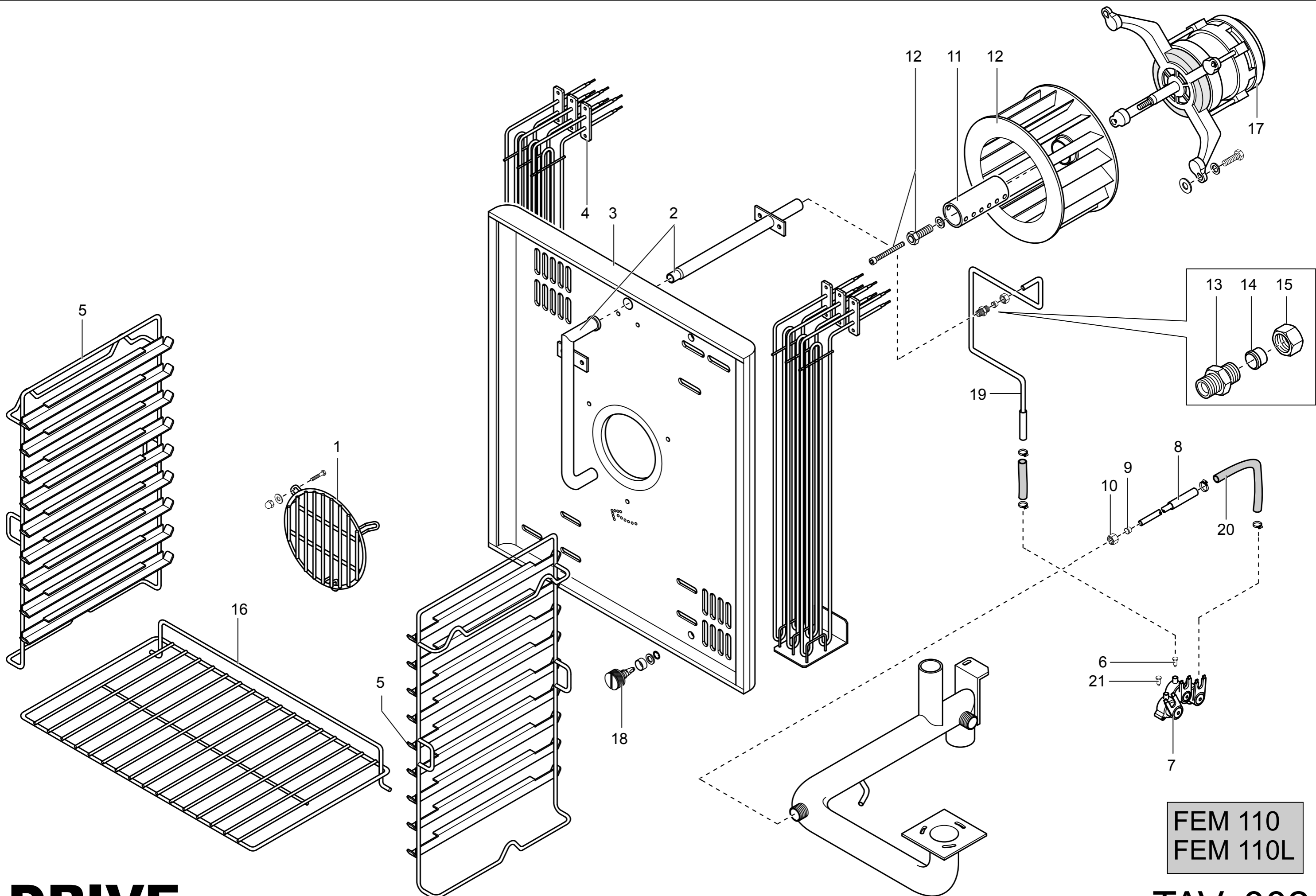
**DRIVE**

FEM 110/L  
FGM 110/L

TAV. 001

A= solo per FGM 110

TAVOLA	POS.	CODICE	ITALIANO	FRANCESE	INGLESE	TEDESCO
DRIVE TAV. 001	1	GAFOC00030	AS.CERN.SUP.SX P.F.	CHARNIÈRE SUPÉRIEURE GAUCHE	INGE PIN SUPER.LEFT	TÜRANGEL OBEN LINKS
DRIVE TAV. 001	1-1	GAFOC00213	AS.CERN.SUP.DX P.F.	CHARNIÈRE SUPÉRIEURE DROITE	INGE PIN SUP. RIGHT	TÜRANGEL RECHTS
DRIVE TAV. 001	2	161169	GR. VETRO INT. SX/DX	C/PORTE DU FOUR GAUCHE	C/OVEN DOOR LEFT	C/OFENTÜR LINKS
DRIVE TAV. 001	3	161161	AS.PORTA FORNO.SX	PORTE DU FOUR GAUCHE	OVEN DOOR LEFT	OFENTÜR LINKS
DRIVE TAV. 001	3-1	161570	AS.PORTA FORNO.DX	PORTE DU FOUR DROITE	OVEN DOOR RIGHT	OFENTÜR RECHTS
DRIVE TAV. 001	4	161172	VETRO ESTERNO SX/DX	VERRE EXTER GAUCHE/DROITE	EXTERNAL GASKET LEFT/RIGHT	EXTERNER GLAS RECHTS/LINKE
DRIVE TAV. 001	5	161114	ASS. CASS. FORNO FEM110	CAISSON	BODY	SCHUBLADE
DRIVE TAV. 001	5A	161082	ASS. CASS. FORNO FGM110	CAISSON	BODY	SCHUBLADE
DRIVE TAV. 001	6	PAFOC00583	CERN.INF.P.F.DX	CHARNIÈRE INFÉRIEUR DROITE PORTE DU FOUR	INGE PIN INF. RIGHT	TÜRANGEL INF. RECHTS
DRIVE TAV. 001	6-1	161387	CERN.INF.P.F.SX	CHARNIÈRE INFÉRIEUR GAUCHE PORTE DU FOUR	INGE PIN INFER.LEFT	TÜRANGEL UNTENLINKS
DRIVE TAV. 001	7	160912	MANIGLIA	POIGNÉE	HANDLE	HANDGRIFF
DRIVE TAV. 001	8	RTFOC00338	ANELLO EST.MAN.P.F.	ANNEAU EXT. POIGNÉE PORTE DU FOUR	OUTWARD RING OVEN DOOR HANDLE	HANDGRIFF
DRIVE TAV. 001	9	160911	BASETTA MANIGLIA	EPAISSEUR POIGNÉE	HANDLE	HANDGRIFF
DRIVE TAV. 001	10	RTFOC00337	ANELLO INT.GRADINO MAN.P.F.	ANNEAU INTERIEUR EPAISSEUR	INNER RING	INNENRING
DRIVE TAV. 001	11	161597	AS. CASSETTO SX INT. P.F.	GROUPE BASSIN GAUCHE	UNIT DRAWER LEFT	GRUPPE SCHUBLADE LINKE
DRIVE TAV. 001	11-1	161600	AS. CASSETTO DX INT. P.F.	GROUPE BASSIN DROITE	UNIT DRAWER RIGHT	GRUPPE SCHUBLADE RECHTS
DRIVE TAV. 001	12	161135	AS.CASSETTO SX	BASSIN GAUCHE	TRAY LEFT	SCHUBLADE LINKS
DRIVE TAV. 001	12-1	161574	AS.CASSETTO DX	BASSIN DROITE	TRAY RIGHT	SCHUBLADE RECHTS
DRIVE TAV. 001	13	RTFOC00413	PIEDINO+T. OTTAG.FGC065/87,5	PIED	FOOT	FUSS
DRIVE TAV. 001	14	RTFOC00711	MICROINT.FCV.	MICRO-INTERRUPTEUR PORTE DU FOUR	MICRO OVEN DOOR	MIKRO OFENTÜR
DRIVE TAV. 001	15	165073	AS.CRUSCOTTO	PANNEAU DE CONTRÔLE	CONTROL PANEL	STIRNBRETT
DRIVE TAV. 001	16	PAFOC00542	FIANCO DX	CÔTÉ DROITE	RIGHT SIDE	RECHTE SEITE
DRIVE TAV. 001	17	165074	POSTERIORE INOX	PANNEAU POSTERIEUR	BACK PANEL	HINTEN
DRIVE TAV. 001	18	161208	AS.COPERCHIO FEM110	COUVERCLE EXT.	COVER EXT.	ABDECKUNG
DRIVE TAV. 001	18A	161206	AS.COPERCHIO FGM110	COUVERCLE EXT.	COVER EXT.	ABDECKUNG
DRIVE TAV. 001	19	PAFOC00543	FIANCO SX	CÔTÉ GAUCHE	LEFT SIDE	LINKE SEITE
DRIVE TAV. 001	20	161502	AS. GHIERA BLOCCO VETRO	GROUPE BAGUE BLOCAGE VERRE	UNIT LUCKING GLASS NUT	GRUPPE GEFESTIGUNGSMUTTER GLAS
DRIVE TAV. 001	21	GAFOC00027	AS.C/FORO CASS.	COUVRE TROU	PLUG	LOCHABDECKUNGSPFROPFEN
DRIVE TAV. 001	22	RTFOC00555	AT.GRIGLIA LAT.F.	ATTAQUE GRILLE LATÉRALE	GRILL CONNECTION SIDE	GRILLAUFPLAGE SEITE
DRIVE TAV. 001	23	RTFOC00197	MOTORIDUTTORE	DÉMARREUR	MOTOR	MOTOR
DRIVE TAV. 001	24	RTFOC00192	ALBERO SCARICO	ARBRE	SHAFT	WELLE
DRIVE TAV. 001	25	RTFOC00198	MICROINTERRUTTORE	MICRO-INTERRUPTEUR	MICROSWITCH	MIKROSWALTER
DRIVE TAV. 001	26	RTFOC00553	ASTA SCARICO CONDENSA	BARRE TRANSVERSAL	ROD TRANSVERS.	STAB
DRIVE TAV. 001	27	PAFOC00680	DISCO INF.SCARICO COND.	DISQUE INFÉRIEUR DÉCHARGÉ	DISC INFER. OUTLET	SCHEIBE UNTEN AUSGANG
DRIVE TAV. 001	28	RTFOC00382	*CORNICI FIS.VETRO P/LAMP.	CADRE DU PORTELAMPE	MOULDING P/LAMP	UMRAHMUNG P/LAMPE
DRIVE TAV. 001	29	161283	GUARNIZIONE P/LAMPADA	GARNITURE DU PORTELAMPE	GASKET P/LAMP	DICHTUNG P/LAMPE
DRIVE TAV. 001	30	RTFOC00201	*VETRO P/LAMPADA	VERRE DU PORTELAMPE	GLASS P/LAMP	GLAS P/LAMPE
DRIVE TAV. 001	31	161281	PORTA LAMPADA	PORTELAMPE	DOOR LAMP	PORTA LAMPE
DRIVE TAV. 001	32	161282	LAMPADA	LAMPE	LAMP	LAMPE
DRIVE TAV. 001	33	RTFOC00009	GANCIO	CROCHET	HOOK	HAKEN
DRIVE TAV. 001	34	RTFOC00005	ZOCCOLO ESTERNO	GODET EXTÉRIEUR	OUTWARD BASE	SOCKEL AUSSEN
DRIVE TAV. 001	35	161513	MOLLA FERMO GHIERA	RESSORT DE LA SERRURE DU VIROLE	FERRULE LOCK SPRING	FEDER DES MUTTER-SCHLOSSES
DRIVE TAV. 001	36	RTMIN00114	DADO CECO M6	ECROU	NUT	MUTTER
DRIVE TAV. 001	37	161581	AS. PROTEZIONE SERRATURA DX	GROUPE PROTECTION SERRURE DROITE	UNIT RIGHT LOCK PROTECTION	GRUPPE SHUTZSCHLOSS RECHTZ
DRIVE TAV. 001	37-1	161166	AS. PROTEZIONE SERRATURA SX	GROUPE PROTECTION SERRURE GAUCHE	UNIT LEFT LOCK PROTECTION	GRUPPE SHUTZSCHLOSS LINKE
DRIVE TAV. 001	38	161411	GUARNIZIONE CRUSCOTTO	GARNITURE PANNEAU DE CONTRÔLE	CONTROL PANEL GASKET	DICHTUNGSTIRNBRETT
DRIVE TAV. 001	39	RTFOC00722	GUARNIZIONE FACCIATA	GARNITURE DEVANTURE	GASKET FACE	DICHTUNG OFENVORDERWAND
DRIVE TAV. 001	41	161477	DISTANZIALE GOMMINO P.F.	BOUCHON DE LA PORTE	DOOR RUBBER CAP	TÜR GUMMI
DRIVE TAV. 001	42	RTFOC00057	ZOCCOLO CENTRALE	GODET CENTRAL	CENTRAL BASE	SOCKEL ZENTRAL
DRIVE TAV. 001	43	GAFOC00051	SERRATURA	SERRURE	LOCK	SCHLOSS
DRIVE TAV. 001	44	RTFOC00301	ANELLO TENUTA ALB.MOT.FGC100	ANNEAU	RING	RING
DRIVE TAV. 001	45A	RTFOC00227	CAMINO SUP.FGM101	CHEMINÉE SUPÉRIEURE	UPPER CHIMNEY	OBERER SCHORNSTEIN
DRIVE TAV. 001	46A	AFC0000012	CAMINO ANTIVENTO	CHEMINÉE ANTIVENT	CHIMNEY	KAMIN WINDSCHUTZ
DRIVE TAV. 001	47	PAFOC00329	DISCO SCARICO COND.FEC200	DISQUE DÉCHARGÉ	DISK OUTLET	SCHEIBE AUSGANG
DRIVE TAV. 001	48	RTFOC00514	DISTANZ.INF/SUP SERR.FGC060/1	ENTRTOISE	SPACER	DISTANZSTÜCK
DRIVE TAV. 001	49	RTFOC00515	DISTANZ.CENT.SERR.FGC060/1	ENTRTOISE	SPACER	DISTANZSTÜCK

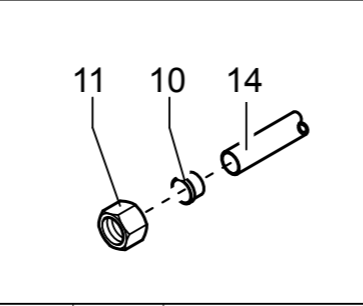
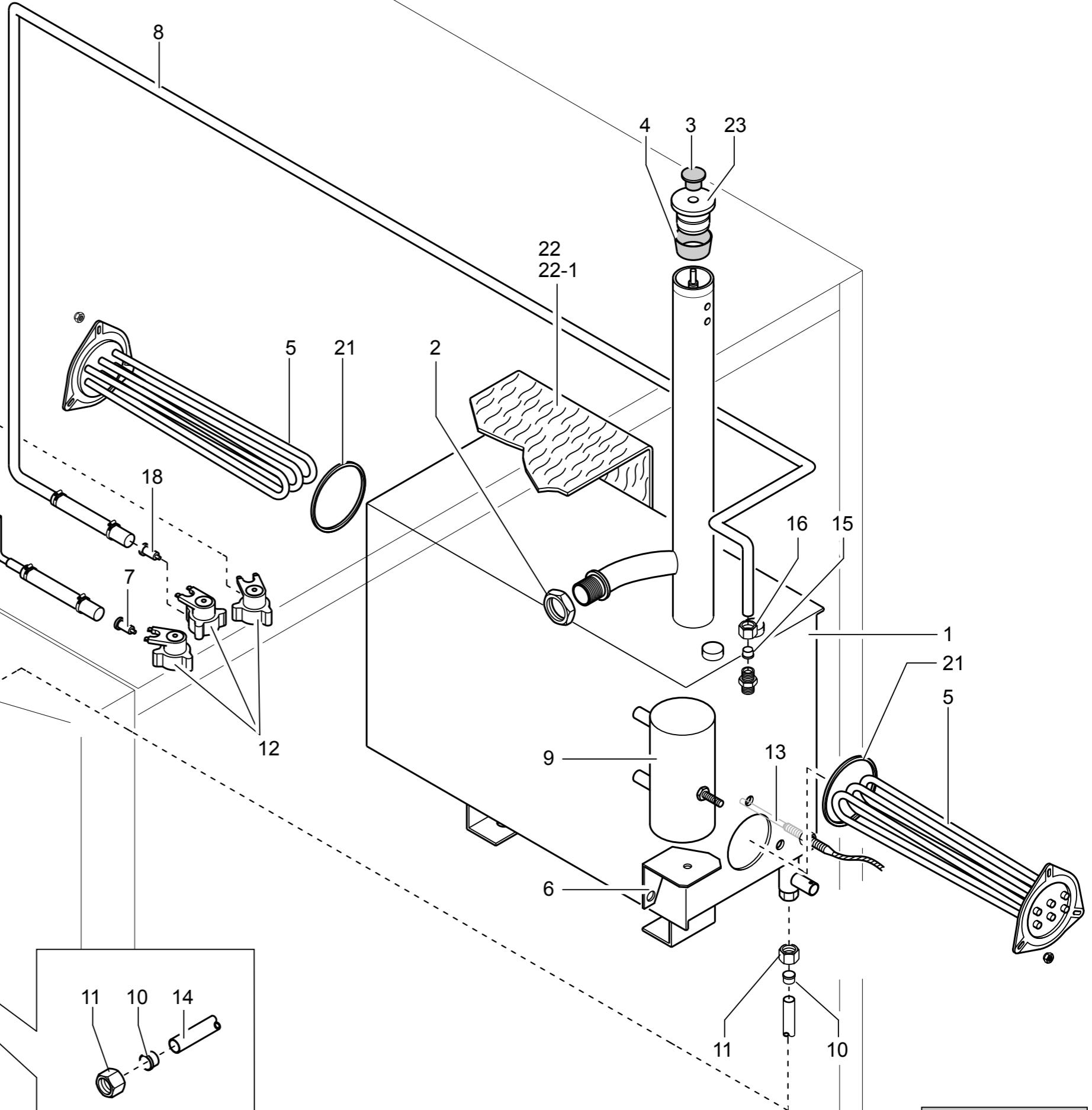
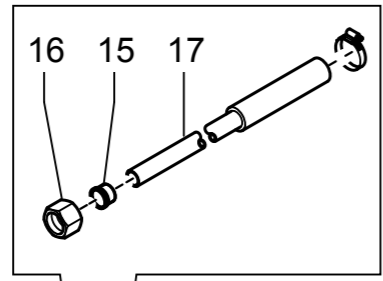


**DRIVE**

FEM 110  
FEM 110L

TAV. 002

TAVOLA	POS.	CODICE	ITALIANO	FRANCESE	INGLESE	TEDESCO
DRIVE TAV. 002	1	RTFOC00174	GRIGLIA PROT.VENT.	GRILLE DE PROTECTION	GRILL IMPELLER PROTECTION	SCHUTZGITTER SCHORNSTEIN
DRIVE TAV. 002	2	RTFOC00492	TU.UMIDIFICATORE	HUMIDIFICATEUR	HUMIDIFIER	BEFEUCHTER
DRIVE TAV. 002	3	161182	CONV.ARIA	CONVOYEUR DE L'AIR	CHIMNEY	SCHORNSTEIN
DRIVE TAV. 002	4	RTFOC00068	RESISTENZA ELET. 2,5KW	RESISTANCE ELET. 2,5KW	RESISTANCE ELET. 2,5KW	WIDERSTAND ELET. 2,5KW
DRIVE TAV. 002	5	RTFOC00527	GRIGLIA LAT. 10GR 1/1	GRILLE LATÉRALE DROITE -GAUCHE	GRILL SIDERIGHT -LEFT	GRILL SEITERECHTS -LINKS
DRIVE TAV. 002	6	RTFOC00120	REGOLAT.E/VALV.FCV.ROSSO/0,25	REGULATEUR DE PORTÉE	FLOWREGULATOR	DURCHSTRÖMUNGSREGLER
DRIVE TAV. 002	7	RTFOC00520	ELETTROVALVOLA	SOUPAPE	ELECTRIC VALVE	ELEKTROVENTIL
DRIVE TAV. 002	8	161521	TU.AB.VAPORI	TUYAU DÉTACHEMENT VAPEUR	PIPE STEAM	ROHR DAMPF
DRIVE TAV. 002	9	RTCU900012	BICONO D.10	BICONE D.10	DOUBLE CONE D.10	DOPPELKONUS D.10
DRIVE TAV. 002	10	RTCU900013	CALOTTA D.10	ECROU D.10	NUT D.10	MUTTER D.10
DRIVE TAV. 002	11	161553	NEBULIZZATORE	NÉBULISATEUR	DISTRIBUTOR	ZERSTÄUBER
DRIVE TAV. 002	12	161274	GIRANTE VENT.10G D.270 P.R.	MOBILE 50HZ	IMPELLER 50HZ	LAUFRAD 50HZ
DRIVE TAV. 002	13	RTFOC00557	INIET.UMIDIF.FCV D.1.5	INJECTEUR HUMIDIFICATEUR	INJECTOR HUMIDIFIER	EINSPRITZER BEFEUCHTER
DRIVE TAV. 002	14	RTCU900018	BICONO D.6	BICONE POUR TUBE Ø 6	BICONE FOR PIPE Ø 6	ZWEIKEGEL Ø 6
DRIVE TAV. 002	15	RTFOC00020	CALOTTA UMIDIF.	ECROU	NUT	MUTTER
DRIVE TAV. 002	16	RTFOC00175	GRIGLIA FORNO GN 1/1	GRILLE DU FOUR GN 1/1	GRILL OVEN GN 1/1	GRILL HERD GN 1/1
DRIVE TAV. 002	17	165077	MOTORE VENT.FEC100	MOTEUR	MOTOR	MOTOR
DRIVE TAV. 002	18	RTFOC00334	AT.RAPIDO	ATTAQUE RAPIDE	CONNECTION	SCHNELLANSCHLUSS
DRIVE TAV. 002	19	RTFOC00750	TU.AL.ACQ.UMIDIF.	TUBE HUMIDIFICATEUR	PIPE HUMIDIFIER	ROHR BEFEUCHTER
DRIVE TAV. 002	20	161508	TUBO IN GOMMA	VITE FISSAGGIO GIRANTE	FIXINGSCREW IMPELLER	BEFESATIGUNGSSCHRAUBE LAUFRAD
DRIVE TAV. 002	21	RTFOC00145	REGOLAT.E/VALV.FCV.BIANCO/1,2 99208	REGULATEUR DE PORTÉE	FLOWREGULATOR	DURCHSTRÖMUNGSREGLER

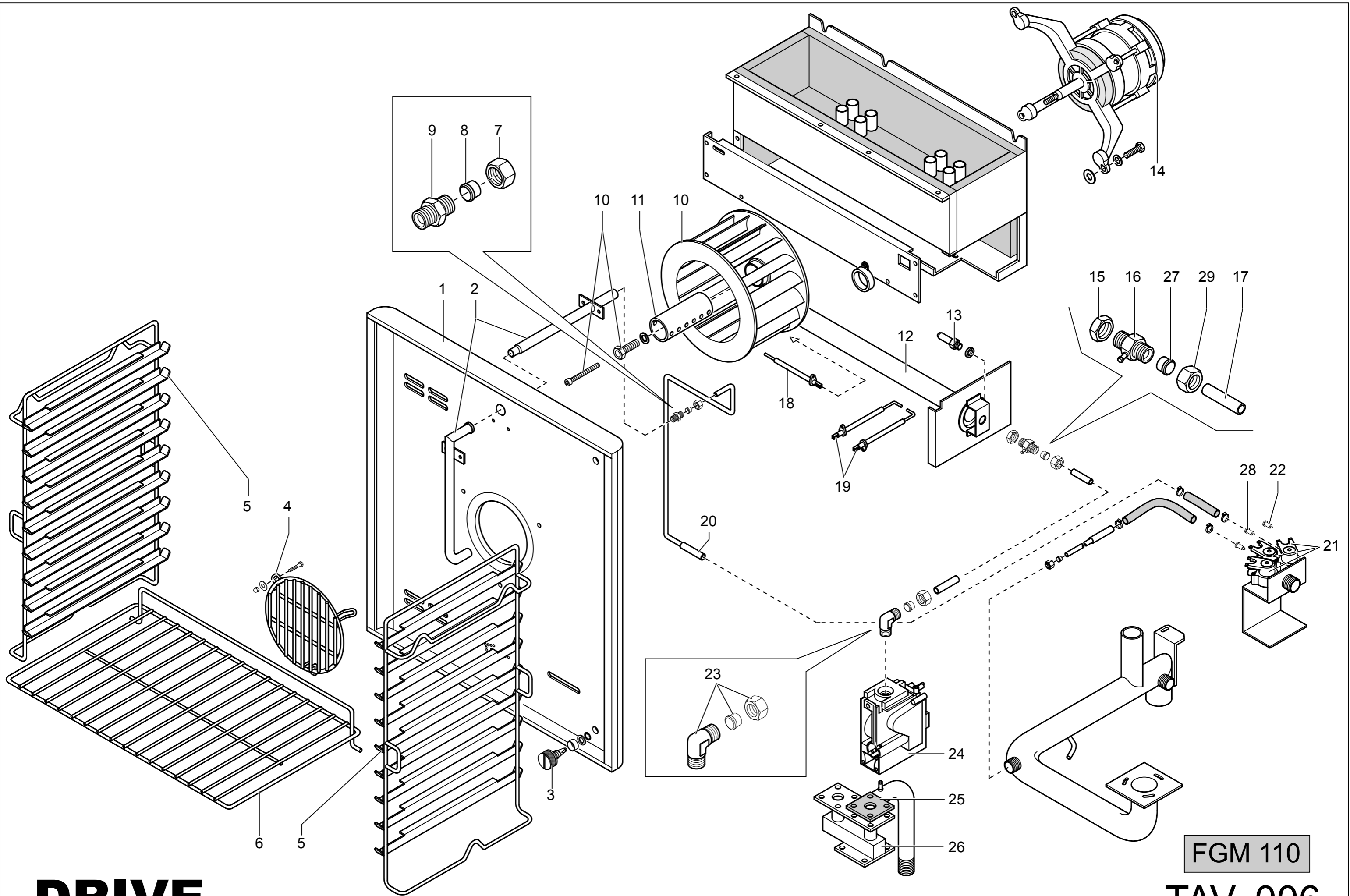


**DRIVE**

FEM 110

TAV. 003

TAVOLA	POS.	CODICE	ITALIANO	FRANCESE	INGLESE	TEDESCO
DRIVE TAV.003	1	165081	BOYLER E.	BOILER	BOILER	BOILER
DRIVE TAV.003	2	RTFOC00186	DADO 3/4"ES.	ECROU3/4"	NUT 3/4"	MUTTER 3/4"
DRIVE TAV.003	3	161660	MANOP.COND.	BOUTON	KNOB	DREHGRIFF
DRIVE TAV.003	4	RTFOC00213	GUARNIZ.	GARNITURE	GASKET	DICHTUNG
DRIVE TAV.003	5	RTFOC00523	RESISTENZA KW6	RESISTANCE	RESISTANCE	WIEDERSTAND
DRIVE TAV.003	6	162282	SQUADRETTA FISS. LIVELLO	EGUERRE	BRACKET	STEUERTAFEL
DRIVE TAV.003	7	RTFOC00120	REGOLATORE PORTATA ROSSO	REGULATEUR DE PORTÉE	FLOW REGULATOR	DURCHFLUSSREGLER
DRIVE TAV.003	8	165083	TU.AL.ACQ.BOYLER	TUBE DE CHARGEMENT DE L'EAU	WATER FEEDING TAP	VERSORGUNGSROHR
DRIVE TAV.003	9	164518	REGOLATORE DI LIVELLO	REGULATEUR	REGULATOR	REGLER
DRIVE TAV.003	10	RTCP900088	BICONO D.14	BICONE	DOUBLE CONE	DOPPELKONUS
DRIVE TAV.003	11	RTCP900089	CALOTTA OT.D.14	ECROU	NUT	MUTTER
DRIVE TAV.003	12	RTFOC00520	E/VALVOLA FCV.3V.209035	SOUPAPE	ELECTRIC VALVE	ELEKTROVENTIL
DRIVE TAV.003	13	164484	TERMOCOPPIA	THERMOCOUPLE	THERMCOPPIA	WAERMEPAAR
DRIVE TAV.003	14	165082	TU.SCARICO ACQ.BOY.	TUBE DE DECHARGE DE L'EAU	WATER DISCHARGE PIPE	WASSERABLAUSSROHR
DRIVE TAV.003	15	RTCU900012	BICONO D.10	BICONE POUR TUYAU Ø 10	BICONE Ø10	ZWEIKEGEL Ø10
DRIVE TAV.003	16	RTCU900013	CALOTTA D.10	ECROU	NUT	MUTTER
DRIVE TAV.003	17	161521	TUBO ABBAT. VAPORE	TUYAU DÉTACHEMENT VAPEUR	PIPE STEAM	ROHR DAMPF
DRIVE TAV.003	18	RTFOC00145	REGOL. DI PORTATA BOILER 1,2 L/M (BIANCO)	REGULATEUR DE PORTÉE BOILER 1,2 L/M (BLANC)	BOILER FLOW REGULATOR 1,2 L/MIN (WHITE)	DURCHFLUSSREGLER BOILER 1,2 L/M (BIRNE)
DRIVE TAV.003	19	161212	RAMPA SC.COND.	RAMPE DU DÉCHARGEMENT CONDENSE	RAMP OUTLET COND.	DUNSTHAUBE
DRIVE TAV.003	20	161508	TUBO GOMMA	TUBE EN CAOUTCHAUC	RUBBER PIPE	ROHR GUMMI
DRIVE TAV.003	21	RIC0003729	GUARNIZ.REISTENZA BOYLER	GARNITURE	GASKET	DICHTUNG
DRIVE TAV.003	22	165660	ISOLANTE ESTERNO BOYLER	PROFIL ISOLANT	INSULATING BAND	ISOLIERPROFIL
DRIVE TAV.003	22-1	165663	ISOLANTE INTERNO BOYLER	PROFIL ISOLANT	INSULATING BAND	ISOLIERPROFIL
DRIVE TAV.003	23	RTFOC00212	VALVOLA PESO	VALVE	VALVE	VENTIL



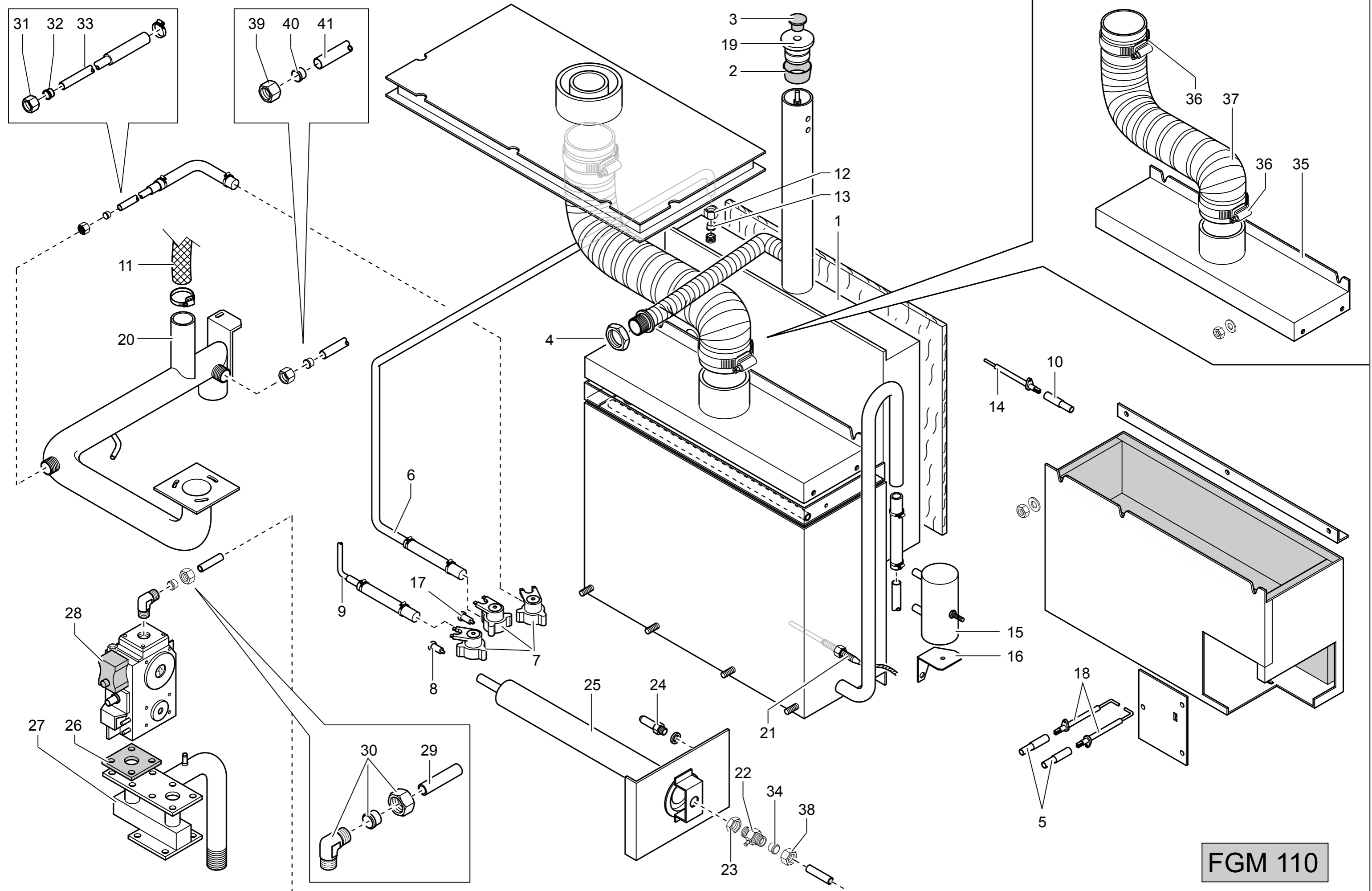
**DRIVE**

FGM 110

TAV. 006

TAVOLA	POS.	CODICE	ITALIANO	FRANCESE	INGLESE	TEDESCO
DRIVE TAV. 006	1	161180	CONV.ARIA	CONVOYEUR DE L'AIR	CHIMNEY	SCHORNSTEIN
DRIVE TAV. 006	2	RTFOC00492	TU.UMIDIFICATORE	HUMIDIFICATEUR	HUMIDIFIER	BEFEUCHTER
DRIVE TAV. 006	3	RTFOC00334	AT.RAPIDO	ATTAQUE RAPIDE	CONNECTION	SCHNELLANSCHLUSS
DRIVE TAV. 006	4	RTFOC00174	GRIGLIA PROT.VENT.	GRILLE DE PROTECTION	GRILL IMPELLER PROTECTION	SCHUTZGITTER SCHORNSTEIN
DRIVE TAV. 006	5	RTFOC00527	GRIGLIA LAT. 10GR 1/1	GRILLE LATÉRALE DROITE -GAUCHE	GRILL SIDERIGHT -LEFT	GRILL SEITERECHTS -LINKS
DRIVE TAV. 006	6	RTFOC00175	GRIGLIA FORNO GN 1/1	GRILLE DU FOUR GN 1/1	GRILL OVEN GN 1/1	GRILL HERD GN 1/1
DRIVE TAV. 006	7	RTFOC00020	CALOTTA UMIDIF.	ECROU	NUT	MUTTER
DRIVE TAV. 006	8	RTCU900018	BICONO D.6	BICONE POUR TUBE Ø 6	BICONE FOR PIPE Ø 6	ZWEIKEGEL Ø 6
DRIVE TAV. 006	9	RTFOC00557	INIET.UMIDIF.FCV D.1.5	INJECTEUR HUMIDIFICATEUR	INJECTOR HUMIDIFIER	EINSPRITZER BEFEUCHTER
DRIVE TAV. 006	10	161274	GIRANTE VENT.10G D.270 P.R.	MOBILE 50HZ	IMPELLER 50HZ	LAUFRADE 50HZ
DRIVE TAV. 006	11	161553	NEBULIZZATORE	NÉBULISATEUR	DISTRIBUTOR	ZERSTÄUBER
DRIVE TAV. 006	12	GAFOC00073	AS.BRUC.FGC100	BRÛLEUR	BURNER	BRENNER
DRIVE TAV. 006	13	VEDI MANUALE UGELLI				
DRIVE TAV. 006	14	165077	MOTORE VENT.FGM110+COND.M80/4E/C1531	MOTEUR	MOTOR	MOTOR
DRIVE TAV. 006	15	RTCP800013	DADO 1/2"ES.27X7 OT.UNI5589	ECROU1/2"	NUT 1/2"	MUTTER 1/2"
DRIVE TAV. 006	16	RTCP800012	SUPPORTO INIET.1/2"BRUC.GBR	SUPPORTO INJECTEUR	SUPPORT INJECTOR 1/2"	HALTERUNG EINSPRITZER
DRIVE TAV. 006	17	RTFOC00693	TU.AL.BRUC.FGMD107	TUBE DE DISTRIBUTION BRÛLEUR	BURNER DISTRIBUTION PIPE	BRENNERVERSORGUNGSROHR
DRIVE TAV. 006	18	PAFOC00249	CAND.RIL.BRU.	ELECTRODE DÉTECTION	FLAMEDETECTOR	FLAMMENDETEKTOR
DRIVE TAV. 006	19	PAFOC00252	CAND.ACC.BRU.	CANDEL.ACC. FIAMMA	CANDEL.ACC. FIAMMA	FLAMMENKERZE
DRIVE TAV. 006	20	RTFOC00479	TU.AL.ACQ.UMIDIF.FGC100/1	TUBE HUMIDIFICATEUR	PIPE HUMIDIFIER	ROHR BEFEUCHTER
DRIVE TAV. 006	21	RTFOC00520	ELETTROVALVOLA	SOUPAPE	ELECTRIC VALVE	ELEKTROVENTIL
DRIVE TAV. 006	22	RTFOC00120	REGOLAT.E/VALV.FCV.ROSSO/0,25 99206	REGULATEUR DE PORTÉE	FLOW REGULATOR	DURCHFLUSSREGLER
DRIVE TAV. 006	23	RTBF800140	GOMITO COMP.OT.D.14 01091421	COURBE	ELBOW	KNIESTÜCK
DRIVE TAV. 006	24	RTFOC00577	CORPO V.FGM69 826011	VALVE GAS	VALVE GAS	VENTIL GAS
DRIVE TAV. 006	25	RTFOC00100	GUARNIZ.AS.RAMPA FGC060	GARNITURE RAMPE DU GAZ	GASKET RAMP GAS	DICHTUNG RAMPE GAS
DRIVE TAV. 006	26	RTFOC00350	AS.RAMPA FGM100 ZINC.	RAMPE DU GAZ	RAMP GAS	RAMPE GAS
DRIVE TAV. 006	27	RTBF800137	BICONO D.14	BICONE D.14	DOUBLE CONE D.14	DOPPELKONUS D.14
DRIVE TAV. 006	28	RTFOC00145	REGOLAT.E/VALV.FCV.BIANCO/1,2 99208	REGULATEUR DE PORTÉE	FLOW REGULATOR	DURCHFLUSSREGLER
DRIVE TAV. 006	29	RTBF800015	CALOTTA D.14	ECROU D.14	NUT D.14	MUTTER D.14





**DRIVE**

FGM 110

TAV. 007

TAVOLA	POS	CODICE	ITALIANO	FRANCESE	INGLESE	TEDESCO
DRIVE TAV. 007	1	165075	BOYLER	BOILER	BOILER	BOILER
DRIVE TAV. 007	2	RTFOC00213	GUARNIZ.	GARNITURE	GASKET	DICHTUNG
DRIVE TAV. 007	3	161660	MANOP.COND.FCV.TURCH.EKK25B	BOUTON	KNOB	DREHGRIF
DRIVE TAV. 007	4	RTFOC00186	DADO 3/4"ES.INOX FCVM	ECROU3/4"	NUT 3/4"	MUTTER 3/4"
DRIVE TAV. 007	5	RTFOC00265	FAST.CAN. ACCENSIONE	FASTON	FASTON	FASTON
DRIVE TAV. 007	6	165054	TU.AL.ACQ.BOYLER	TUBE DE CHARGEMENT DE L'EAU	PIPE WATERINLET	ROHR WASSERZUFLUSS
DRIVE TAV. 007	7	RTFOC00520	E/VALVOLA FCV.3V. 209035	SOUPAPE 3 VIE	ELECTRIC VALVE 3 VIE	ELEKTROVENTIL 3 WEG
DRIVE TAV. 007	8	RTFOC00120	REGOLAT.E/VALV.FCV.ROSSO/0,25	REGULATEUR DE PORTÉE	FLOWREGULATOR	DURCHSTRÖMUNGSREGLER
DRIVE TAV. 007	9	RTFOC00479	TU.AL.ACQ.UMIDIF.FGC100/1	TUBE HUMIDIFICATEUR	PIPE HUMIDIFIER	ROHR BEFEUCHTER
DRIVE TAV. 007	10	RTFOC00266	FAST.CAN.RILEVAZIONE	FASTON	FASTON	FASTON
DRIVE TAV. 007	11	161508	TUBO GOMMA	TUBE EN CAOUTCHAUC	RUBBER PIPE	ROHR GUMMI
DRIVE TAV. 007	12	RTCU900013	CALOTTA D.10	ECROU	NUT	MUTTER
DRIVE TAV. 007	13	RTCU900012	BICONO D.10	BICONE POUR TUYAU Ø 10	BICONE Ø10	ZWEIKEGEL Ø10
DRIVE TAV. 007	14	PAFOC00250	CAND. RIL BRUC.BOILER FGM109/108	ELECTRODE DÉTECTION	SPARK PLUG	ZÜNDKERZE
DRIVE TAV. 007	15	164518	REGOLATORE LIV.BOY.F.HOBART	RÉGULATEUR	REGULATOR	REGLER
DRIVE TAV. 007	16	162282	SQ.FIS.CONTROLLO LIV.BOY.F.HOBART	EGUERRE	CREW	WINKEL
DRIVE TAV. 007	17	RTFOC00145	REGOLAT.E/VALV.FCV.BIANCO/1,2 99208	RÉGULATEUR	REGULATOR	REGLER
DRIVE TAV. 007	18	PAFOC00251	CAND.ACC.BRU.B.FGM109/95 15402	BOUGIE D'ALLUMAGE	PLUG SPARKE	ZÜNDKERZE
DRIVE TAV. 007	19	RTFOC00212	VALVOLA PESO	SOUPAPE 3 VIE	VALVE	GASVENTIL
DRIVE TAV. 007	20	161212	RAMPA SC.COND.	RAMPE DU DÉCHARGEMENT CONDENSE	RAMP OUTLET COND.	DUNSTHAUBE
DRIVE TAV. 007	21	164484	T/COPPIA 6X100 K F.HOBART MBM00018	THERMOCOUPLE	THERMOELEMENT	THERMOELEMENT
DRIVE TAV. 007	22	RTCP800012	SUPPORTO INIET.1/2"BRUC.GBR	SUPPORTO INJECTEUR	SUPPORT INJECTOR 1/2"	HALTERUNG EINSPRITZER
DRIVE TAV. 007	23	RTCP800013	DADO 1/2"ES.27X7 OT.UNI5589	ECROU1/2"	NUT 1/2"	MUTTER 1/2"
DRIVE TAV. 007	24	VEDI MANUALE UGELLI				
DRIVE TAV. 007	25	GAFOC00108	AS.BRUC.BOYLER FGM061	BRÛLEUR	BURNER	BRENNER
DRIVE TAV. 007	26	RTFOC00100	GUARNIZ.AS.RAMPA FGC060	GARNITURE RAMPE DU GAZ	GASKET RAMP GAS	DICHTUNG RAMPE GAS
DRIVE TAV. 007	27	RTFOC00350	AS.RAMPA FGM100 ZINC.	RAMPE DU GAZ	RAMP GAS	RAMPE GAS
DRIVE TAV. 007	28	RTFOC00577	CORPO V.FGM69 826011	VALVE GAS	VALVE GAS	VENTIL GAS
DRIVE TAV. 007	29	RTFOC00583	TU.AL.BRUC.BOYLER FGM109/1	TUYAU	PIPE	ROHR
DRIVE TAV. 007	30	RTBF800140	GOMITO COMP.OT.D.14 01091421	RACCORD	FITTING	KNIESTÜCK
DRIVE TAV. 007	31	RTCU900013	CALOTTA D.10	ECROU D.10	NUT D.10	MUTTER D.10
DRIVE TAV. 007	32	RTCU900012	BICONO D.10	BICONE POUR TUYAU Ø 10	BICONE Ø10	ZWEIKEGEL Ø10
DRIVE TAV. 007	33	161521	TUBO ABBAT. VAPORE	TUYAU DÉTACHEMENT VAPEUR	PIPE STEAM	ROHR DAMPF
DRIVE TAV. 007	34	RTBF800137	BICONO D.14	BICONE	DOUBLE CONE	DOPPELKONUS
DRIVE TAV. 007	35	GAFOC00116	AS.CAMINO BOYLER FGM101	CHEMINÉE BOILER	CHIMNEY BOILER	KAMIN BOILER
DRIVE TAV. 007	36	RTMIN00249	FASCETTA TU.MINUS D77X97 INOX	BANDE	CLAMP	SHELLE
DRIVE TAV. 007	37	RTFOC00216	TU.FLES.PRES.BIANCO/75 0106300	TUYAU	PIPE FLEXIBLE	ROHR FLEXIBEL
DRIVE TAV. 007	38	RTCP900088	BICONO D.14	BICONE D.14	DOUBLE CONE D.14	DOPPELKONUS D.14
DRIVE TAV. 007	39	RTBF800015	CALOTTA D.14	ECROU D.14	NUT D.14	MUTTER D.14
DRIVE TAV. 007	40	RTCP900089	CALOTTA OT.D.14	ECROU	NUT	MUTTER
DRIVE TAV. 007	41	165057	TU.SCARICO ACQ.BOY.	TUBE DE DECHARGE DE L'EAU	WATER DISCHARGE PIPE	WASSERABLASSROHR